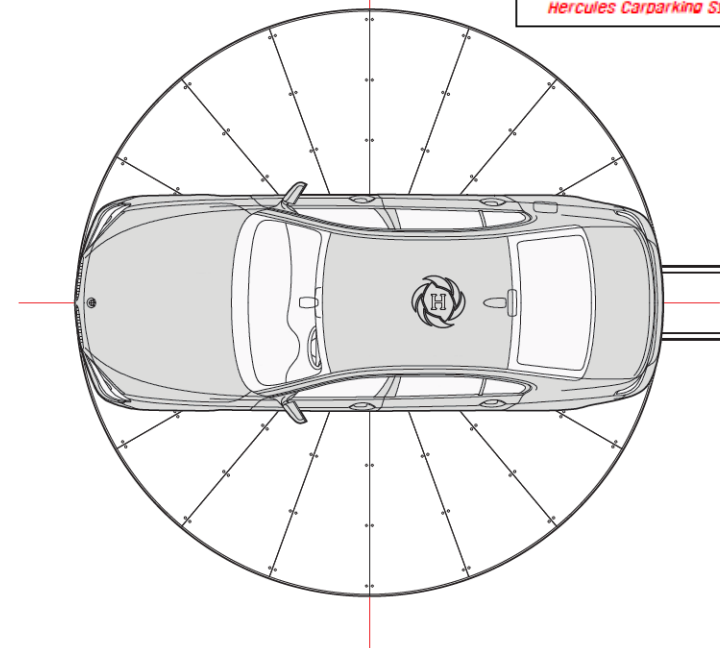
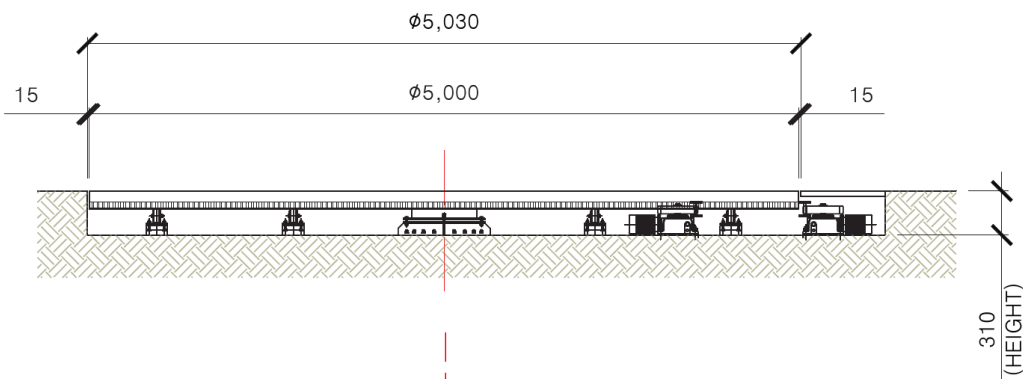
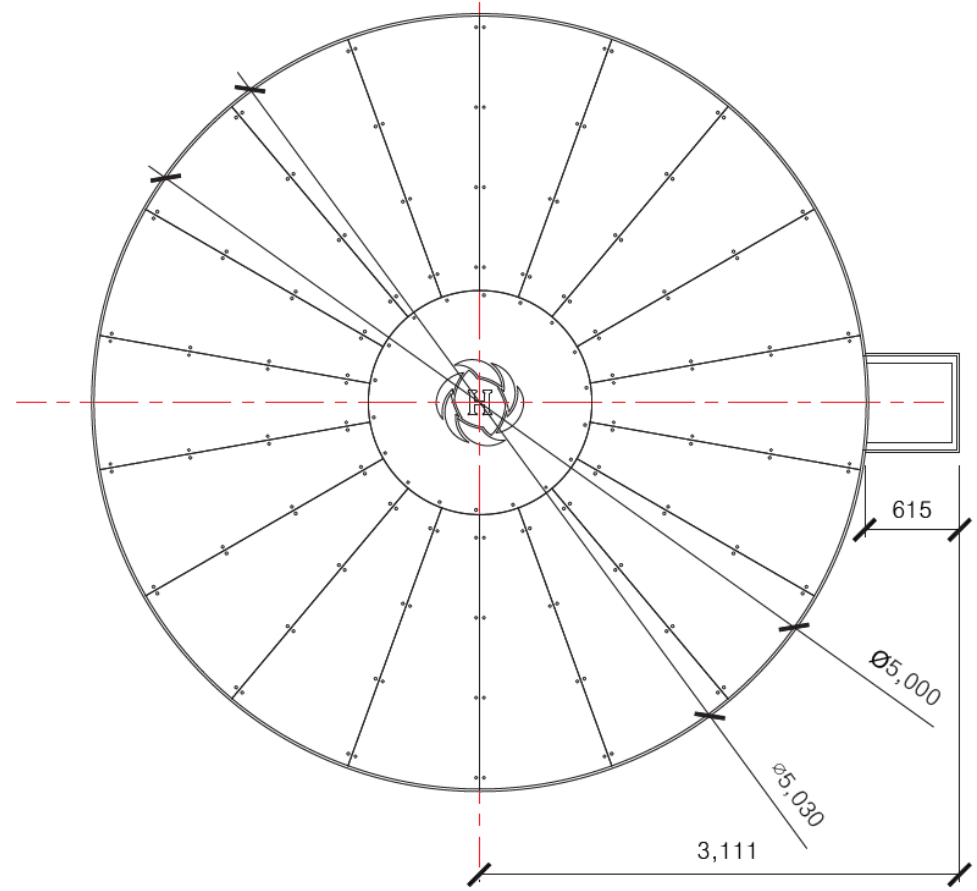


This drawing is strictly confidential and must not be copied, reproduced, manufactured from, or passed to a third party without the written permission of **Hercules Carparking Systems**



SIZE COMPARISON (NOT TO SCALE)



SPECIFICATIONS				
AVAILABLE TOP SURFACE OPTIONS		 ALUMINIUM ALLOY	 DIAMOND THREAD STEEL	 CONCRETE
DIAMETER	mm	5,000		
SPEED	rpm	0.2 – 1.1		
INSTALLATION WEIGHT	kg	1,592	1,885	2,005
LOAD CAPACITY	kg	4,000		7,500
HEIGHT	mm	310		380
MOTOR POWER	kW	0.75		1.1

..			MODEL NAME	HCP – WZ – TT50000	JOB		TITLE	CAR TURNTABLE						
..			 HERCULES CARPARKING SYSTEMS	DATE		SCALE		SUBJECT	LAYOUT					
..				DRAW	DESIGNED	CHECKED	REVIEWED	APPROVED	FILE NAME	HCP – WZ – TT50000			REV.	△
DATE	REVISIONS & DESCRIPTION	ENG'R		APPR'D	San				DWG NO.		-		-	