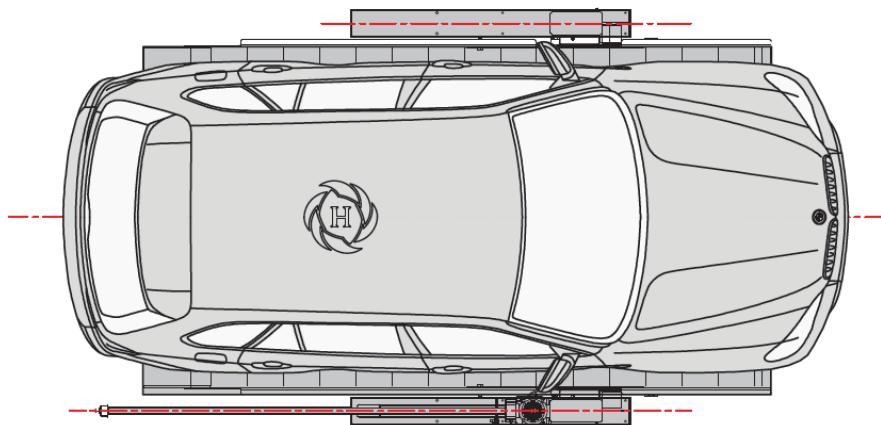
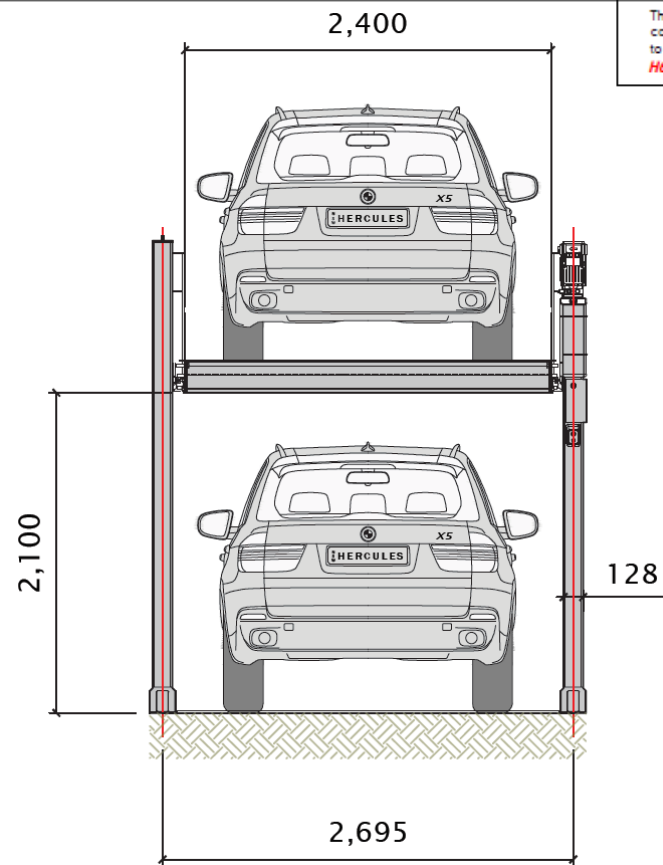
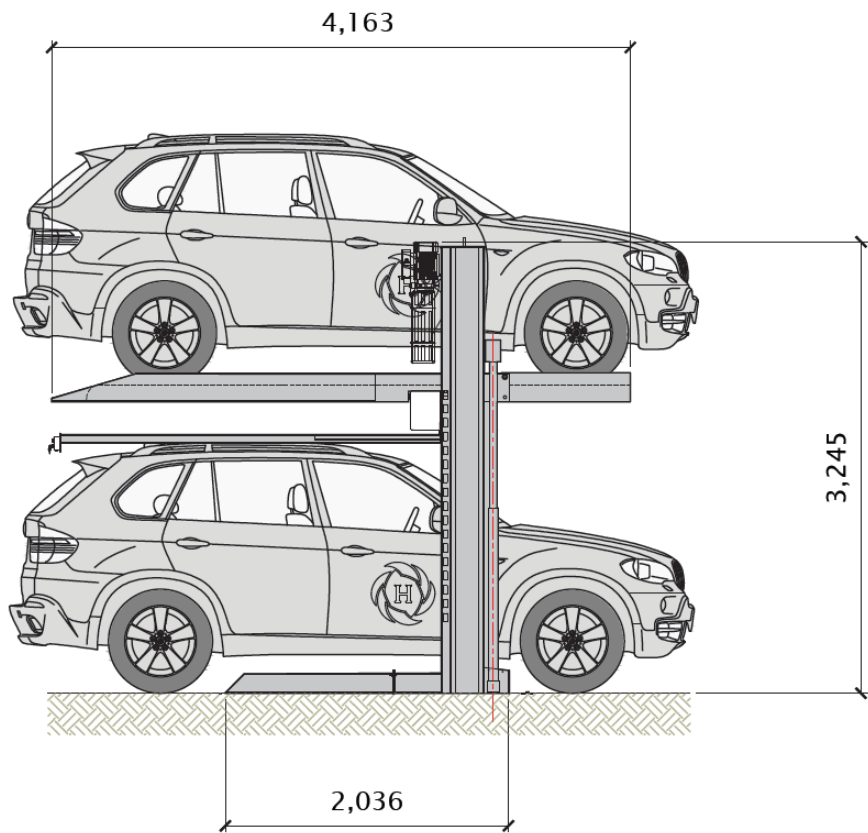


This drawing is strictly confidential and must not be copied, reproduced, manufactured from, or passed to a third party without the written permission of **Hercules Carparking Systems**



SPECIFICATIONS		
ACCOMMODATION	LENGTH	5,000 mm
	WIDTH	2,150 mm
	HEIGHT	1550mm-2000mm
	WEIGHT	2,700 kg
EQUIPMENT WEIGHT	1050 kg	
PUMP MOTOR	2.2 kW (HYDRAULIC)	
PARKING TIME	45 sec	
POWER SOURCE	450V × 60HZ × 3P	
	220V × 50HZ × 1P	

..		MODEL NAME	HCP - SP - 2P27H24		JOB					TITLE	2 POST DOUBLE STACKER			
..					DATE		SCALE		SUBJECT	LAYOUT				
..					DRAW	DESIGNED	CHECKED	REVIEWED	APPROVED	FILE NAME	HCP - SP - 2P27H24			
DATE	REVISIONS & DESCRIPTION	ENG'R	APPR'D	San					DWG NO.		-		-	