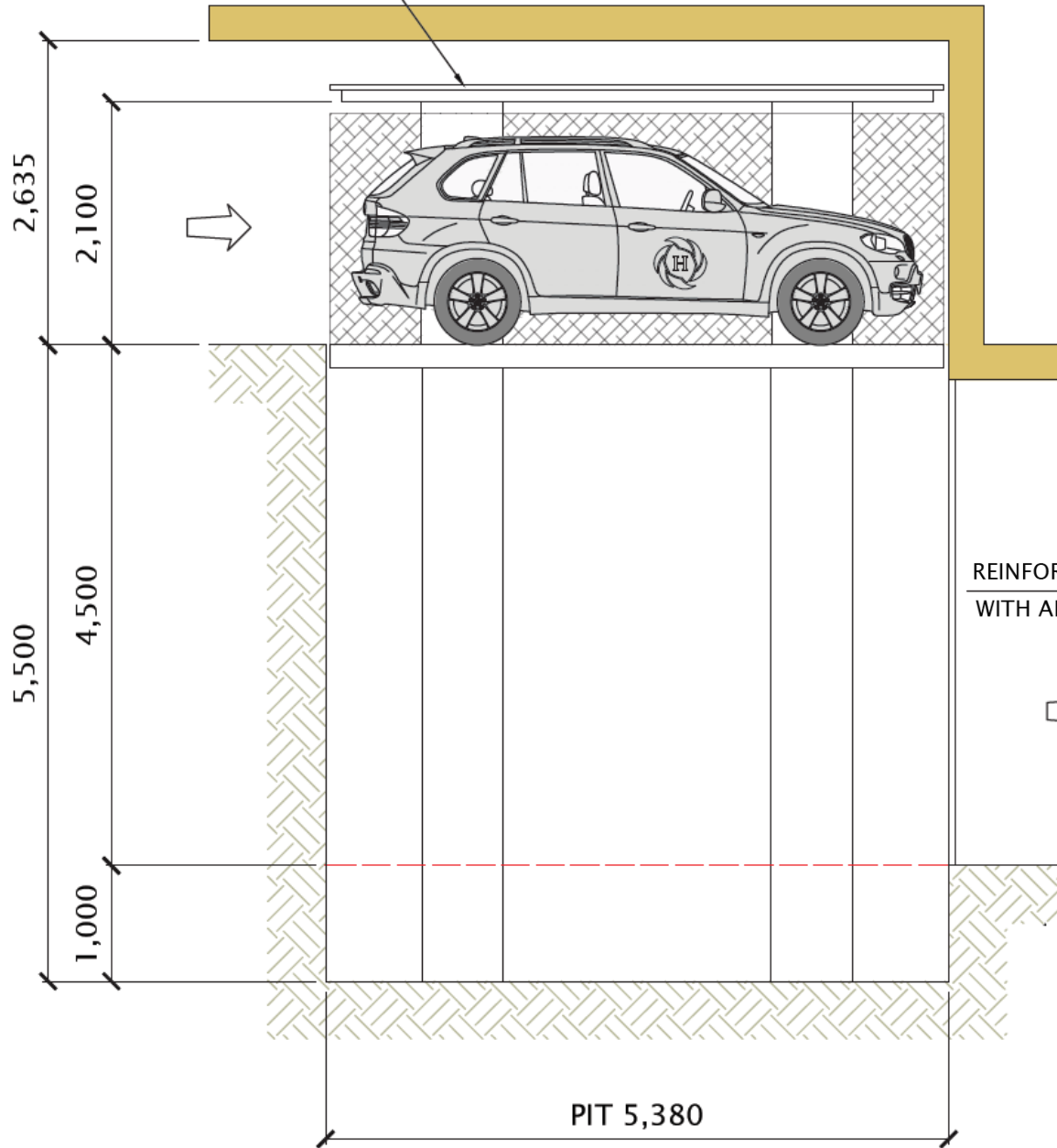


PREDISPOSITION FOR TILES

(30 Kg/m²)

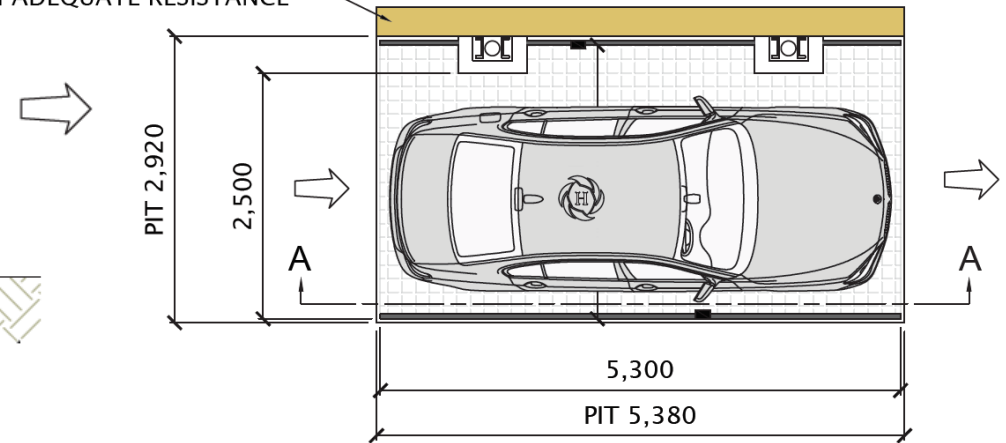


CAPACITY: 3000 Kgs

PRELIMINARY DRAWING: DIMENSIONS ARE SUBJECT TO ADJUSTMENTS

PROTECTION TO BE DEFINED

REINFORCED CONCRETE WALL
WITH ADEQUATE RESISTANCE



..			MODEL NAME	HCP - ES - CLV5500	JOB		TITLE	CAR LIFT				
..				DATE		SCALE	SUBJECT	LAYOUT				
..				DRAW	DESIGNED	CHECKED	REVIEWED	APPROVED	FILE NAME	HCP - ES - CLV5500		
DATE	REVISIONS & DESCRIPTION	ENG'R		APPR'D	San				DWG NO.	-	-	REV.

This drawing is strictly confidential and must not be copied, reproduced, manufactured from, or passed to a third party without the written permission of Hercules Carparking Systems