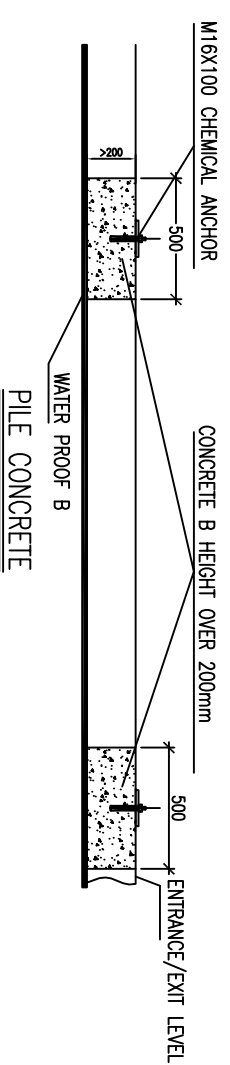
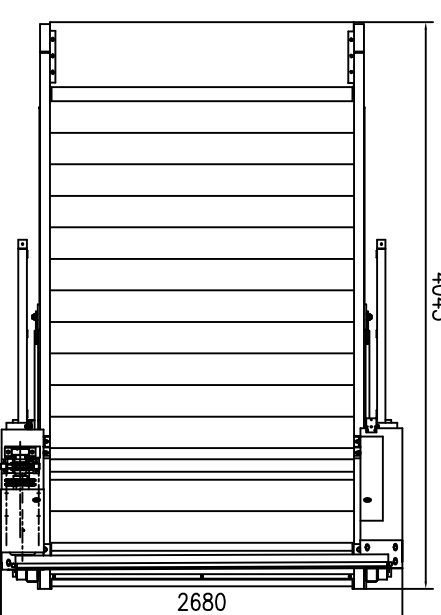
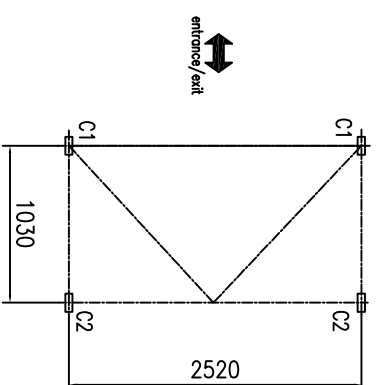


MODEL	A	B	HEIGHT
PJS2D-XJ	3100	5200	3400-3600

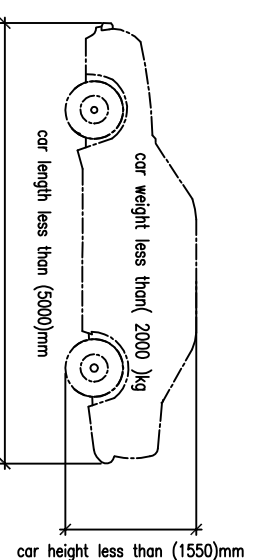
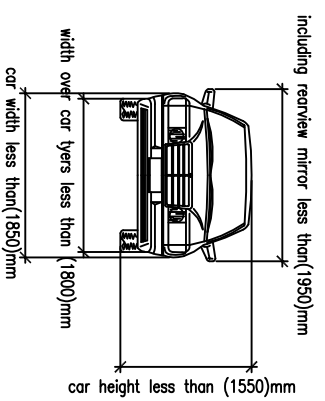
● SPECIFICATION	
MODEL	PJS2D-XJ
CAR LENGTH	5000 mm
CAR WIDTH	1850 mm
INCLUDING REARVIEW MIRROR HEIGHT	1950 mm
WIDTH OVER TYERS	1800 mm
WEIGHT	2200 kg

Loading specification

COLUMN	C1	C2
LOAD	15400	13000



- Technology specification:
1. This machine is a double stacker dependent parking system.
  2. The machine is to be fixed down with M16\*100 chemical anchors.
  3. The horizontal error of concrete should be within 5mm (in the area of the machine).
  4. The input point of the power supply is located at the back of machine 1400mm above ground level. Please see detail on the project drawing.
  5. There is an earthing device for each machine. Please make sure this is connected in accordance with local wiring rules.
  6. The civil engineering design should comply with the requirements of this drawing. There should be no obstructions within the machine space.
  7. If the location is out-doors, a water-proof roof of the machine should be provided.
  8. This drawing provides a reference for civil engineering design which should be checked by us before construction commence.



**HERCULES CARPARKING SYSTEMS**  
Unit 2, 18 Hotham Parade, Artarmon NSW 2064 Phone: 02 9966 5600

DRAWING NAME:

**DOUBLE STACKER ABOVE GROUND**

DRAWING NUMBER 100908\_2100

SCALE: SIZE: A3

**THESE DRAWINGS ARE COVERED BY COPYRIGHT FOR HERCULES CARPARKING SYSTEMS PTY LTD AND ARE NOT TO BE USED IN ANY WAY WITHOUT OUR PERMISSION.**