



HERCULES

CARPARKING SYSTEMS

TIKEE

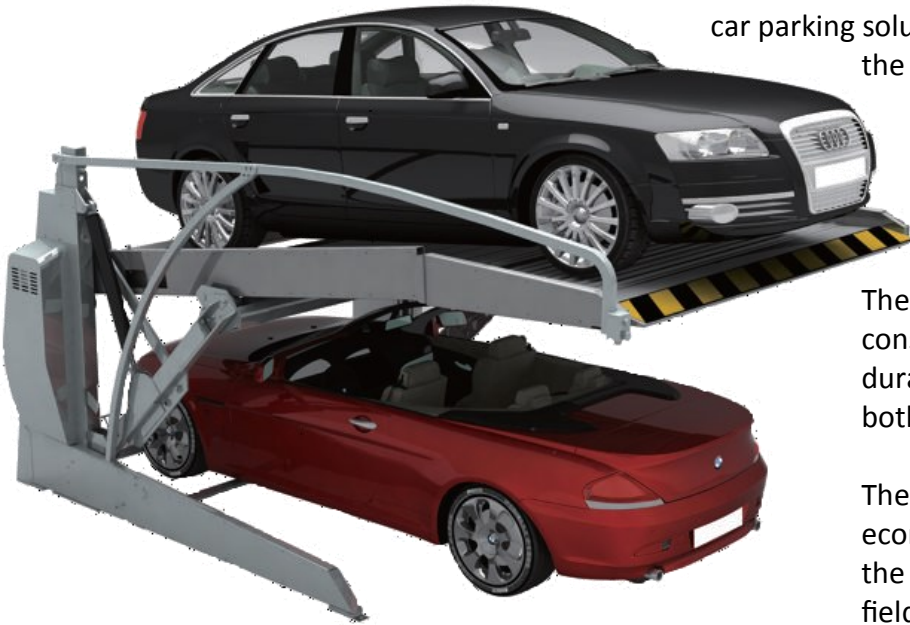
THE ANGLE STACKER

The Hercules Angle Stacker Series is the ultimate car parking solution to accommodate two cars in the one carpark space above ground.

An angle stacker is perfect when there is not enough height available.

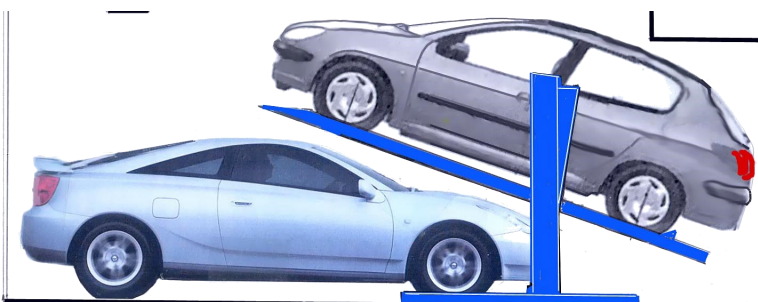
The sleek design and strong, galvanised construction guarantee safety, durability and the utmost protection of both the cars and drivers/passengers.

The simplicity of operation, and it's economic and practical design make the Tikee the unchallenged leader in the field of safe car parking practices.



ADVANTAGES

- **Ultra Low Noise:** Whether the car is being lifted up or down, the machine makes very little noise due to the buffering of the hydraulic cylinders
- **Safe and Reliable:** The limit switch on the post and the anti-tip drop device guarantee safety of this equipment.
- **Fast and Easy Installation:** As part of the structure is pre-installed during manufacture, this lessens the installation work
- **Simple Operation:** To operate the equipment, all that needs to be turned on is the key switch on the control panel
- **Consumer Product Level Finishing:** The powder coated main frame and galvanised platform provides consumers the best level of finish.
- **Suitable for both** Home Use and Public Use



Toll Free: 1800 649 603 | Head Office: (02) 9966 5600
info@hercules.com.au | www.herculescarparking.com.au



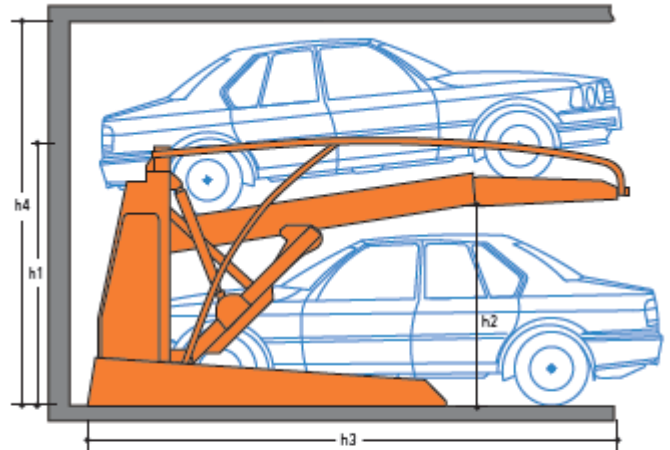
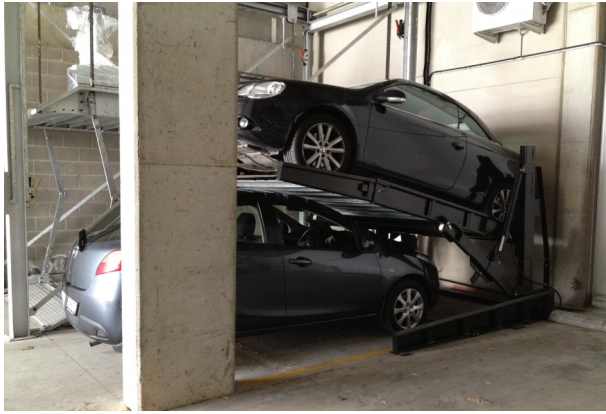


HERCULES

CARPARKING SYSTEMS

TIKEE

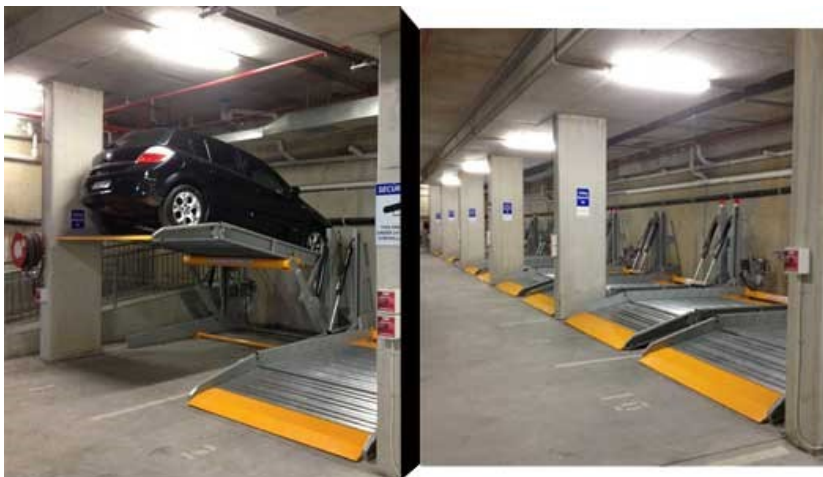
THE ANGLE STACKER



FEATURES

- Designed for low ceiling height
- Hydraulic overloading protection
- Can be moved or relocated
- Galvanized platform with wave plate for better parking
- 10-degree or 15-degree tilting platform
- Dual hydraulic lifting cylinders direct drive
- Individual hydraulic power pack and control panel
- Self-standing and self-support structure 2000kg capacity, suitable for sedan only
- Electric key switch for security and safety
- Automatic shut-off if operator releases the key switch
- Both electrical and manual lock release for your choice
- Maximum lifting height adjustable for different ceiling height
- Mechanical anti-falling lock in top position

h1(mm)	1850
h2(mm)	1600
h3(mm)	3899
h4(mm)	2900





HERCULES CARPARKING SYSTEMS

HERCULES CARPARKING SYSTEMS – CREATING CAR PARKS OUT OF THIN AIR!

Hercules Carparking Systems specializes in customised solutions for every conceivable parking requirement.

1800 649 603

Hercules Carparking Systems 2004 Pty Ltd

Unit 1, 87 Reserve Road,
ARTARMON NSW 2064

Hercules Carparking Systems (Melbourne) Pty Ltd

424 Johnston Street,
ABBOTSFORD VIC 3067

Hercules Carparking Systems (WA) Pty Ltd

41 Esplanade,
NEDLANDS WA 6009

Hercules Carparking Systems (Qld) Pty Ltd

Unit 1, 87 Reserve Road,
ARTARMON NSW 2064

Toll Free: 1800 649 603 | Head Office: (02) 9966 5600
info@hercules.com.au | www.herculescarparking.com.au

