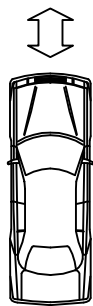
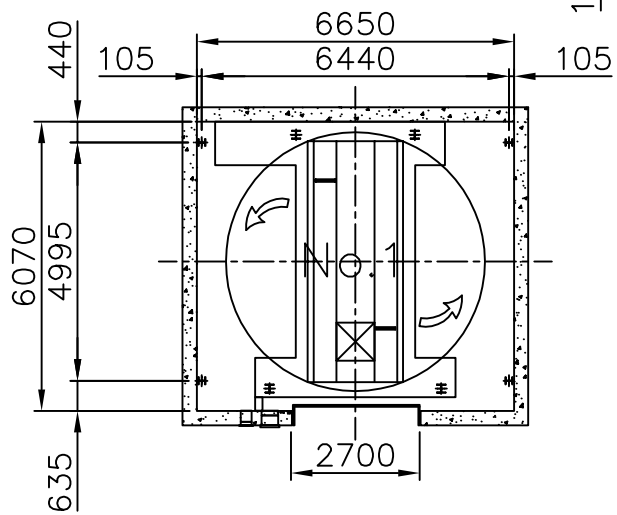


* Specification

Model	SBB-18-MM-2600	
Speed	110m/min(Full Speed)	
Lift Tower No.	1	
Car No.	26	
Car Size	5000 x 1850 x 1550mm	
Car Weight	2000kg	
Lift Tower Height	25,920mm(Net)	
Access Time	Min	about 37.9 sec
	Max	about 83.2 sec
	Average	about 60.6 sec



HERCULES CARPARKING SYSTEMS
 Unit 2, 18 Hotham Parade, Artarmon NSW 2064 PHONE (02)9966 5600

DRAWING NUMBER 161210_0900

THESE DRAWINGS ARE COVERED BY COPYRIGHT FOR HERCULES CARPARKING SYSTEMS PTY LTD AND ARE NOT TO BE USED IN ANY WAY WITHOUT OUR PERMISSION.

DRAWING TITLE:
 PARKING TOWER SBB-18-MM

SCALE:

SIZE: